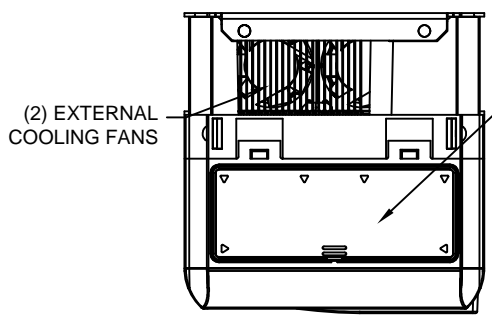


1 2 3 4 5 6 7 8

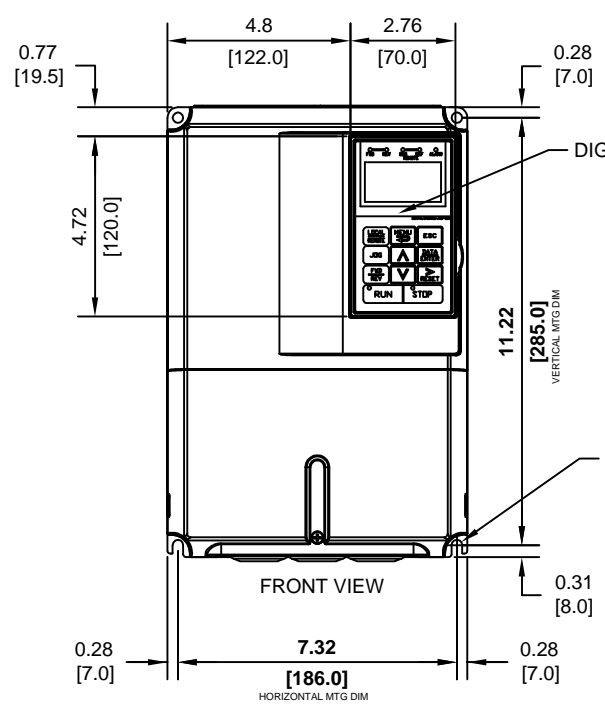
A
B
C
D
E
F
G
H
I
J



TOP PROTECTIVE COVER

(2) EXTERNAL COOLING FANS

NOTE:
PROTECTIVE COVERS ARE FACTORY INSTALLED TO THE TOP AND BOTTOM OF THE DRIVE TO MEET IP20 & NEMA TYPE 1 REQUIREMENTS, RESULTING IN AN AMBIENT TEMPERATURE RATING OF 104F(40C). REMOVE THESE COVERS WHEN OPERATING THE DRIVE WITHIN A PANEL TO OBTAIN THE MAXIMUM SURROUNDING AIR TEMPERATURE RATING OF 113F(45C). REMOVING THESE COVERS RESULTS IN AN ENCLOSURE RATING OF IP00.

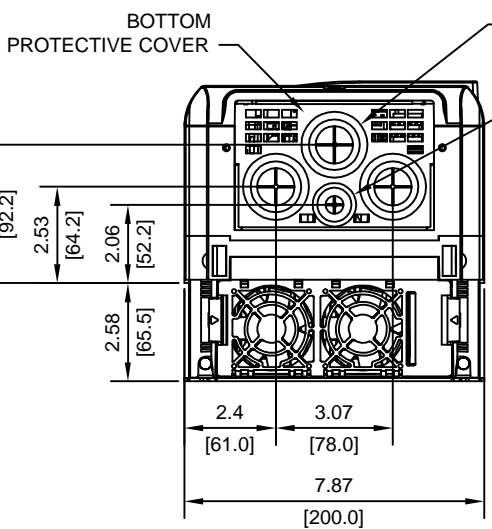
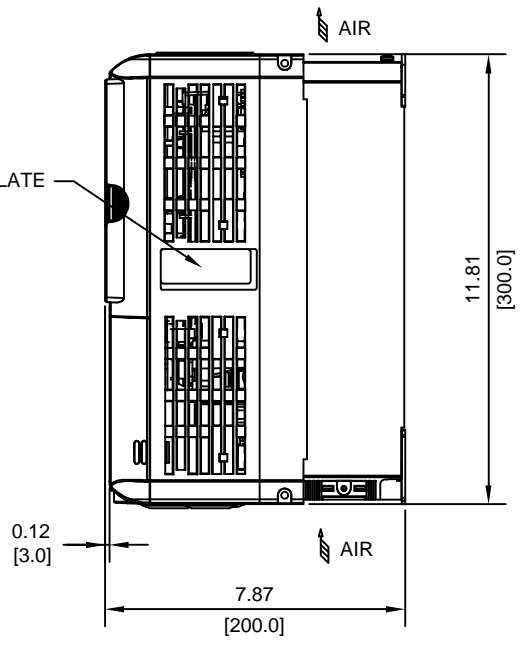


DIGITAL OPERATOR

NAMEPLATE

(4)-MOUNTING HOLES FOR 1/4" [M6] SCREWS

FRONT VIEW
HORIZONTAL MTG DIM



BOTTOM PROTECTIVE COVER

(3)-Ø1.38 [35] HOLE WITH RUBBER BUSHING

Ø0.87 [22] HOLE WITH RUBBER BUSHING

MODEL #	VOLTAGE (VAC)	OUTPUT CURRENT (A)	WEIGHT LBS (Kg)	HEAT LOSS (W)		
				INT	EXT	TOTAL
27P5	208/240	31.0	13.2 (6.0)	113	219	332
47P5	480	17.0	13.2 (6.0)	114	193	307
4011		27.0	13.2 (6.0)	158	232	390

INT=INTERNAL COMPONENTS
EXT=EXTERNAL HEATSINK

FOR ADDITIONAL DETAILS AND SPECIFICATIONS, CONSULT MANUAL

TOLERANCES/REFERENCES:

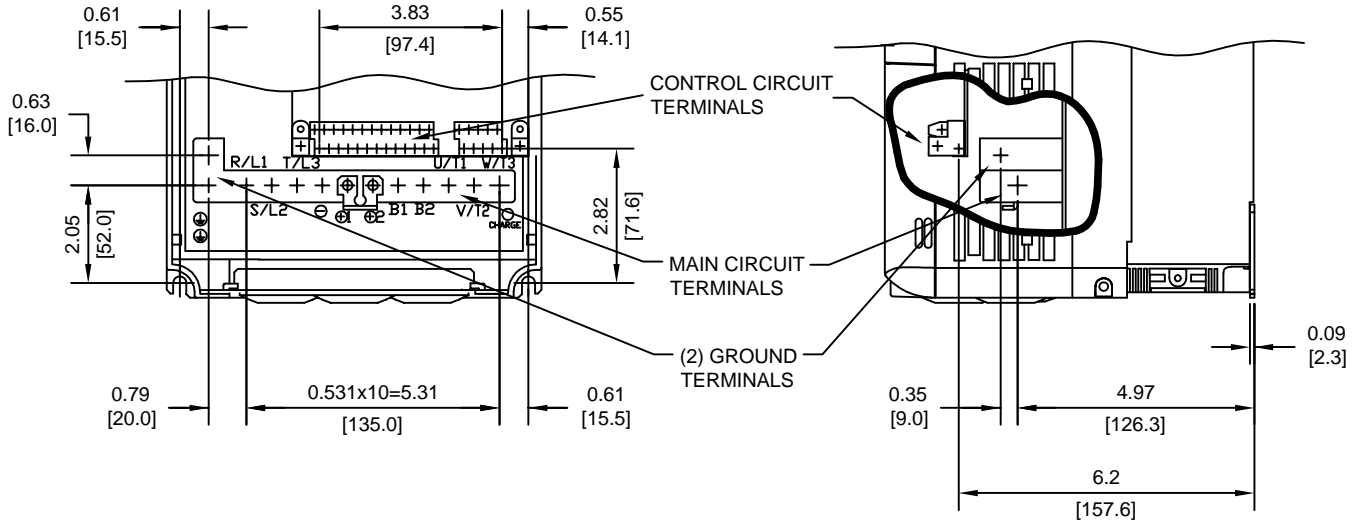
UNITS: IN[mm] SCALE: 1:5

YASKAWA
A World of Automation Solutions™

YASKAWA ELECTRIC AMERICA, INC.
Corporate Headquarters
2121 Norman Drive South
Waukegan, IL 60085
1-800-YASKAWA
http://www.yaskawa.com

DRAWN: J. MATTAS	DATE 4-4-05	TITLE: P7 DIMENSION DRAWING
CHECKED: M. RUCINSKI	DATE 5-3-05	FRAME SIZE 3A
TECH: J. CAIRO	DATE 4-7-05	NEMA TYPE 1/IP20 AND IP00
APPROVED: T. SASADA	DATE 6-8-05	P7U27P5, 47P5 TO 4011
ORIGINAL DESIGN: -	DATE -	SIZE: A REVISION: R00 PAGE: 1 of 3
DRAWING #: DD.P7.FR3A.N1.01		

TERMINAL AND WIRING DETAILS (SCALE 1:4)




TERMINAL AND WIRE SPECIFICATIONS FOR
MAIN CIRCUIT AND GROUND

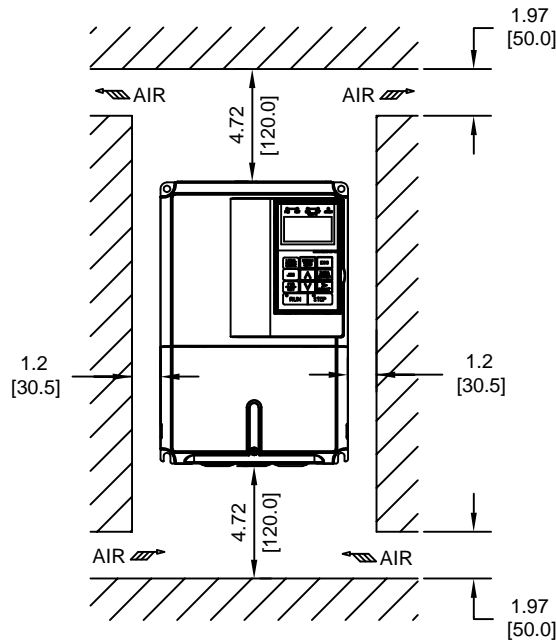
MODEL # CIMR-P7U	TERMINAL SYMBOL	TERMINAL SCREW	CLAMPING TORQUE lb.in.(N.m.)	WIRE RANGE AWG(mm ²)
27P5	R/L1, S/L2, T/L3, ⊙, ⊕1, ⊕2, B1, B2, U/T1, V/T2, W/T3, ⊕	M5	20.4 TO 22.1 (2.3 TO 2.5)	10-6 (5.5-14)
47P5	R/L1, S/L2, T/L3, ⊙, ⊕1, ⊕2, B1, B2, U/T1, V/T2, W/T3	M4	12.1 TO 15.6 (1.4 TO 1.8)	10-6 (5.5-14)
	⊕			12-10 (3.5-5.5)
4011	R/L1, S/L2, T/L3, ⊙, ⊕1, ⊕2, B1, B2, U/T1, V/T2, W/T3, ⊕	M5	20.4 TO 22.1 (2.3 TO 2.5)	10-6 (5.5-14)

NOTE: REFER TO APPLICABLE CODES FOR PROPER WIRE TYPE AND SIZE

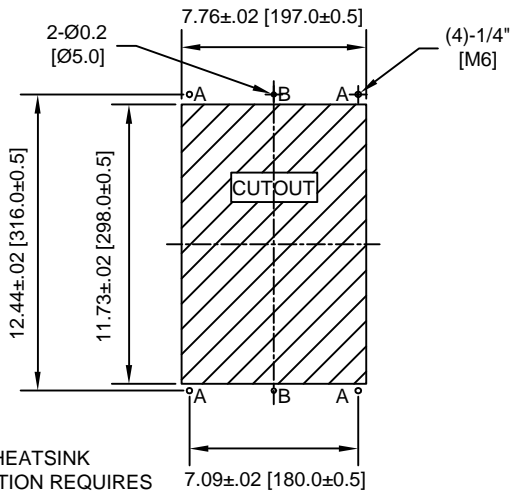
FOR ADDITIONAL DETAILS AND SPECIFICATIONS, CONSULT MANUAL

TOLERANCES/REFERENCES: - - - - - -	 YASKAWA <i>A World of Automation Solutions™</i> YASKAWA ELECTRIC AMERICA, INC. Corporate Headquarters 2121 Norman Drive South Waukegan, IL 60085 1-800-YASKAWA http://www.yaskawa.com	DRAWN: J. MATTAS	DATE 4-4-05	TITLE: P7 DIMENSION DRAWING FRAME SIZE 3A NEMA TYPE 1/IP20 AND IP00 P7U27P5, 47P5 TO 4011				
		CHECKED: M. RUCINSKI	DATE 5-3-05	TECH: J. CAIRO	DATE 4-7-05	SIZE A	REVISION R00	PAGE 2 of 3
		APPROVED: T. SASADA	DATE 6-6-05	ORIGINAL DESIGN: -	DATE -	DRAWING #: DD.P7.FR3A.N1.01		
		UNITS: IN[mm]	SCALE: BY VIEW					

MINIMUM INSTALLATION CLEARANCES (SCALE 1:8)



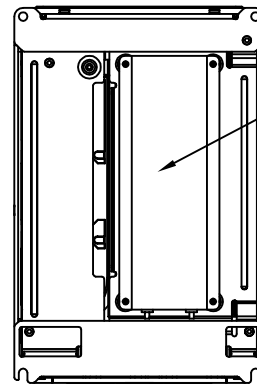
PANEL CUTOUT FOR EXTERNAL HEATSINK MOUNTING CONFIGURATION (SCALE 1:8)



NOTES:

- EXTERNAL HEATSINK CONFIGURATION REQUIRES MOUNTING KIT
- EXPOSED HEATSINK DEPTH $D=2.58"$ MINUS PANEL THICKNESS

SIMPLIFIED REAR VIEW (SCALE 1:6)



OPTIONAL DYNAMIC BRAKING RESISTOR MOUNTING HARDWARE: (4)-M4x10 SCREWS

FOR ADDITIONAL DETAILS AND SPECIFICATIONS, CONSULT MANUAL

TOLERANCES/REFERENCES: -		<p>YASKAWA A World of Automation Solutions™</p> <p>YASKAWA ELECTRIC AMERICA, INC. Corporate Headquarters 2121 Norman Drive South Waukegan, IL 60085 1-800-YASKAWA http://www.yaskawa.com</p>	DRAWN: J. MATTAS DATE 4-4-05	TITLE: P7 DIMENSION DRAWING FRAME SIZE 3A NEMA TYPE 1/IP20 AND IP00 P7U27P5, 47P5 TO 4011	
UNITS: IN[mm]	SCALE: BY VIEW		CHECKED: M. RUCINSKI DATE 5-3-05	TECH: J. CAIRO DATE 4-7-05	APPROVED: T. SASADA DATE 6-8-05
			ORIGINAL DESIGN: -	DATE -	REVISION R00
			DRAWING #: DD.P7.FR3A.N1.01		
			PAGE 3 of 3		